



## Exterior Pump Range

### INSTALLATION & USER INSTRUCTIONS

Thank you for purchasing this Whale® product.


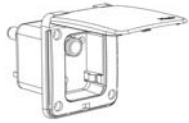

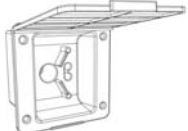

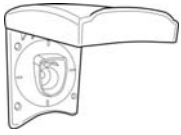
For over 50 years, Whale® has led the way in the design and manufacture of freshwater and waste systems including:- pumps, plumbing, taps and showers for low voltage applications. The company and its products have built a reputation for quality, reliability and innovation backed up by excellent customer service.

#### Typical Installation

The Whale Watermaster® Exterior Pump Range is designed for use in recreational vehicles to supply freshwater to caravans and motorhomes, where Socket Housings are used to connect to an outside water supply.

For information on our full product range visit: [www.whalepumps.com](http://www.whalepumps.com)

This product is designed for use with freshwater. If it is intended for use with any other liquid, it is the user's responsibility to ensure that the materials are fully compatible with the liquids to be used and that a system of safe working practice is applied to installation, use and maintenance.

Product Code	Product Name	Compatible with
EP1312 & EP1612 	Whale Watermaster® with Easi-Push™ Plug	Whale Watermaster® Exterior Socket 
EP1322 & EP1622 	Whale Watermaster® with Easi-Squeeze™ Plug	Truma Crystal II Housings 
EP1642 	Whale Watermaster® with Easi-Press™ Plug	Truma Ultraflow Housings 

## SPECIFICATION

Product Codes	EP1312, EP1322		EP1612, EP1622, EP1642	
Voltage	Voltage range 9.5V d.c. to 14.5V d.c.		Voltage range 9.5V d.c. to 14.5V d.c.	
Nominal Current	Operating 3.5 - 3.8 Amps		Operating 3.5 - 3.8 Amps	
Recommended Fuse Size	5 Amp automotive		5 Amp automotive	
Weight	0.5kg		0.5kg	
Materials	<p>Pump Body: ABS Seals: Nitrile®            Strainer: Polypropylene Impeller:            Stainless Steel Cable: PVC, Grease Seal: Nitrile®            Wire: PVC insulated copper, Hose: PVC, Plug: PBT</p>		<p>EP1612, EP1622            Pump Body: ABS Seals: Nitrile®            Strainer: Polypropylene Impeller:            Unfilled PP Cable: PVC, Grease Seal: Nitrile® Wire: PVC insulated copper, Hose: PVC, Plug: PBT</p> <p>EP1642            Pump Body: ABS Seals: Nitrile®            Strainer: Polypropylene Impeller: Unfilled PP Cable: PVC, Grease Seal: Nitrile® Wire: PVC insulated copper, Hose: PVC, Plug: ABS</p>	
Accessories (Available separately)	WF1230 - Aquasource Clear In-line Water Filter - fits in pipework to remove nasty taster and smells.		WF1230 - Aquasource Clear In-line Water Filter - fits in pipework to remove nasty tastes and smells.	
Service Kits	GP1352 - Replacement Submersible Premium Pump		GP1652 - Replacement Submersible High Flow Pump	
Performance Data	Height	Flow Rate Per Minute / Current Draw	Height	Flow Rate Per Minute / Current Draw
	0 m (0ft)	13.2 ltrs / 3.6 amps	0 m (0ft)	15.8 ltrs / 3.8 amps
	1 m (3ft)	11.75 ltrs / 3.3 amps	1 m (3ft)	14.8 ltrs / 3.7 amps
	3 m (9ft)	9.75 ltrs / 2.9 amps	3 m (9ft)	12.8 ltrs / 3.5 amps
Operating Temperature Range	3°C to 40°C		3°C to 40°C	
Storage Temperature Range	-30°C to 60°C		-30°C to 60°C	

## CONTENTS

1. Principles of Operation
2. Application
3. Warnings
4. Parts List
5. Optional Extras
6. Installation
7. Instructions for Use
8. Maintenance
9. Helpful Hints
10. Trouble Shooting
11. Winterising
12. Service Support Details
13. EU Declaration of Conformity, Standards & Approvals
14. Patents and Trademarks
15. Warranty Statement

## LIST OF IMAGES

- Fig. 1 Connecting EP1612 & EP1312 to Whale Watermaster Socket
- Fig. 2 Connecting EP1622 & EP1322 to Truma Crystal II Socket
- Fig. 3 Connecting EP1642 to Truma Ultraflow Socket
- Fig. 4 Securing EP1612 & EP1312 plug
- Fig. 5 Securing EP1622 & EP1322 plug
- Fig. 6 Securing EP1642 plug
- Fig. 7 Removing EP1612 & EP1312 plug
- Fig. 8 Removing EP1622 & EP1322 plug
- Fig. 9 Removing EP1642 plug
- Fig. 10 When filling the water container - EP1612
- Fig. 11 When filling the water container - EP1642

## 1. PRINCIPLES OF OPERATION

The Whale Watermaster® Exterior Pump Range allows an easy, secure connection between various socket housings and an external water source. All models come with a uniquely designed plug, an extra flexible hose, a high quality dust cover, safety strainer and narrow pump design. The Watermaster with Easi-Push™ Plug also comes with a built in hose holder. The Watermaster with Easi-Press™ Plug comes with a built in hose holder and a protective plug cover.

### To the Fitter:

Check that the product is suitable for the intended application, follow these installation instructions and ensure all relevant personnel read the points listed below. Also ensure that these operating instructions are passed on to the end user.

### To the User:

Please read the following carefully before installation

- Keep O-rings well lubricated to make the connection/removal of the plug to socket easier. Use a water based lubricant such as silicone grease. PLEASE NOTE: DO NOT USE VASELINE TO LUBRICATE O-RINGS.
- Use protective cap cover to keep end clean and lubricated.
- Do not pull on locking plate when removing the handset from the socket.
- Clean contact strips often.
- Do not run pump constantly for more than 15 minutes
- Use hose holder to keep the pump off the ground when refilling water container.
- Drop pump into water container and shake to expel an air before inserting the plug into the socket.

## 2. APPLICATION

Please note that the Whale Watermaster Exterior Pump Range is designed to work with the sockets listed as compatible and a Whale Submersible Pump.

## 3. WARNINGS



- This product is not designed for any other purpose than supplying water to a caravan or other recreational vehicle system.
- Always disconnect power sources before installing or making connections.
- With all applications it is important that a system of safe working practice is applied to installation, use and maintenance.
- **Do not** use the pump in water temperatures above 40°C (100°F).
- It is best to stand the pump vertically in the tank.
- Drop pump into water container and shake to expel an air before inserting the plug into the socket.

Do not use pump for other purposes other than stated in this document. Please note performance may vary depending on the plumbing system and restrictions on outlets in your caravan.

Suitable for freshwater only.

Contact the Whale® technical helpline (028 9127 0531) for additional advice on this product or its installation.

## 4. PARTS LIST

EP1612	Qty 1	Whale Watermaster® with Easi-Push™ plug and 12V d.c. Premium Pump
EP1312	Qty 1	Whale Watermaster® with Easi-Squeeze™ plug and 12V d.c. Premium Pump
EP1622	Qty 1	Whale Watermaster® with Easi-Push™ plug and 12V d.c. High Flow Pump
EP1322	Qty 1	Whale Watermaster® with Easi-Squeeze™ plug and 12V d.c. High Flow Pump
EP1642	Qty 1	Whale Watermaster® with Easi-Press™ plug and 12V d.c. High Flow Pump

## 5. OPTIONAL EXTRAS

- No extra parts are required to complete the system
- You can replace your Watermaster® submersible pump;
  - GP1352 Premium (For models EP1312, EP1322)
  - GP1652 High Flow (For models EP1612, EP1622, EP1642)

## 6. INSTALLATION

Please note - The manufacturer cannot be held responsible for claims arising from incorrect installation, unauthorised modification or misuse of this product.

Ensure that the system is fully drained before starting the installation. To do this open and close all outlets to expell water and air.

To connect the submersible pump;

Please check that the submersible pump can reach the bottom of the water container and that there is access to the back of the socket.

Connect plug as shown below.

Step One

EP1312 / EP1612

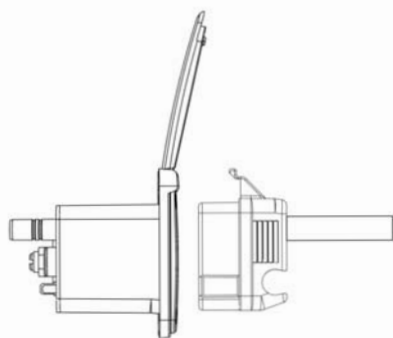


Fig. 1

EP1322/ EP1622

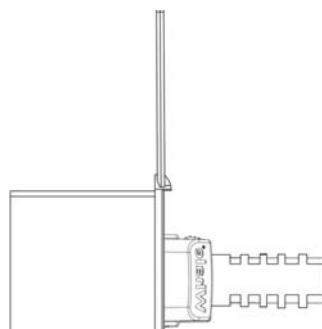


Fig. 2

EP1642

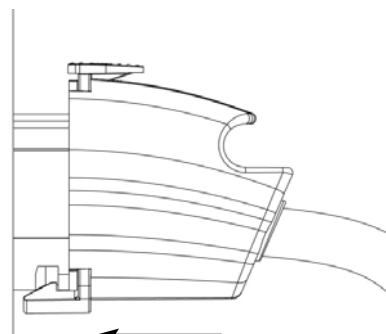


Fig. 3

Step Two

Ensure the socket lid is locked in place.

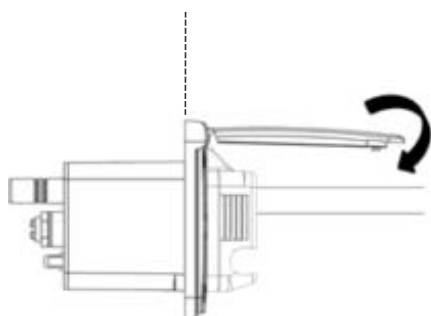


Fig. 4

Ensure the tabs are secured.

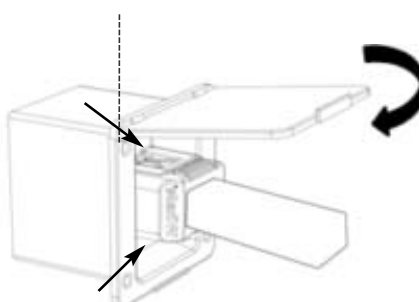


Fig. 5

Ensure the catch is secure.  
You will hear a click.

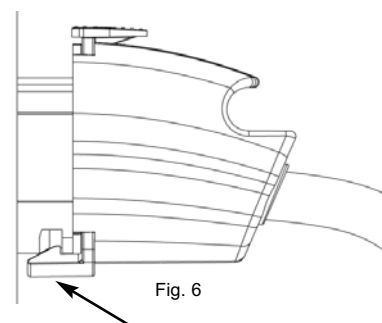


Fig. 6

To disconnect the submersible pump, release as shown:

**EP1312 / EP1612**

Lift lid then pull plug to remove.

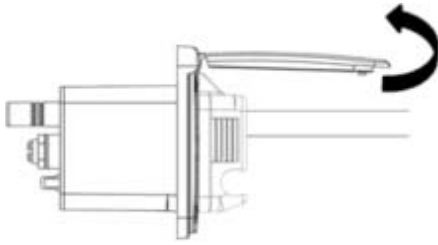


Fig. 7

**EP1322/ EP1622**

Lift lid then squeeze release buttons to remove plug.

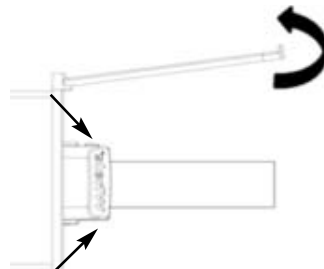


Fig. 8

**EP1642**

Lift lid, press button then pull to remove plug.

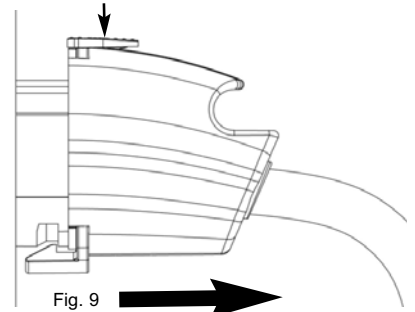


Fig. 9

Once the pump is removed, stow it in a clean, dry place and close the socket lid.

**Handy Tip:** When refilling your water container, the pump can be placed as shown;

**EP1312 / EP1612**

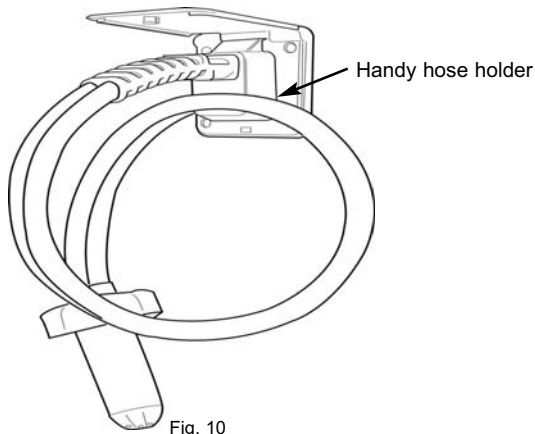


Fig. 10

**EP1642**

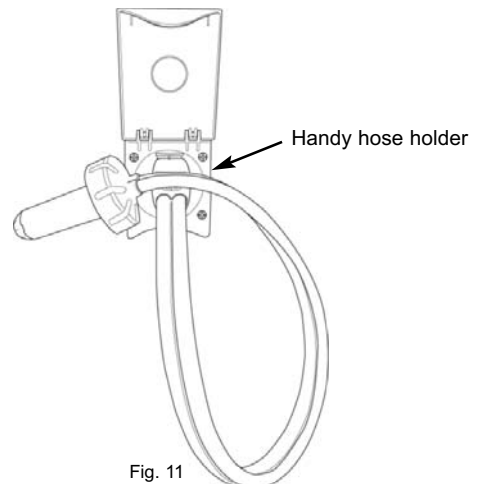


Fig. 11

**7. INSTRUCTIONS FOR PUMP STORAGE WHEN NOT IN USE**

The plug should always be removed from the external water socket before moving the caravan/motorhome and stowed in a clean, dry place.

**8. MAINTENANCE**

The Watermaster Plug is designed to be service free. The Submersible Pump can be replaced if required.  
Premium - GP1352  
High Flow - GP1652.

**9. HELPFUL HINTS**

To obtain efficient running and maximum pump life, follow these easy steps:

- Ensure there is sufficient water in the container.
- Ensure maximum pumping period is not more than 15 minutes, continuous operation
- Ensure all hose connections are firm and watertight.
- Ensure the power supply is adequate. Low performance could result from a weak battery or reduced voltage due to undersized wiring (we recommend wiring should be a minimum thickness of 2.5mm<sup>2</sup>).
- When replenishing the water supply, it is possible to create an air lock in the pump. As a result, the pump will run noisily and give no flow. To remedy, unplug from the socket while keeping the pump submerged to dislodge the air pocket in the pump. Also shaking the dual hose gently may dislodge the air pocket in the pump. Alternatively switch off pump at main panel, open a tap outlet and switch pump on again at the main panel.

## 10. TROUBLE SHOOTING

PROBLEM	POSSIBLE SOLUTIONS
Pump will not run	Check at least one tap is open
	Check the battery condition
	Check the mains isolator switch is on
	Check the pump isolator switch is on
	Check the contacts in the plug and socket are clean and making contact
	Check wiring connections
	Check fuse (see fuse box)
	Turn the pump isolation switch off and on again
The pump cycles on/off with all taps and shower closed	Check for air or water leaks in taps and piping
	Check that the non return valve in socket is free from grit by pushing a suitable blunt object, for example a ballpoint pen into the socket nipple against the non-return valve holding the valve open to dislodge trapped grit
	Check within 1 year warranty. Contact retailer and replace pump
Runs continuously and does not stop after 30 seconds	Check all connections in pipework

## 11. WINTERISING

The Whale Watermaster Exterior Pump Range does not require any additional winterising. However it **must be** stored in clean dry place when not in use.

For details of how to drain your water system for winter please visit [www.whalepumps.com/rv](http://www.whalepumps.com/rv)

## 12. SERVICE SUPPORT DETAILS

**For installation or serviceable parts advice please contact Whale® Customer Support:**

Tel: +44 (0)28 9127 0531  
 Fax: +44 (0)28 9146 6421  
 Email: [info@whalepumps.com](mailto:info@whalepumps.com)  
[www.whalepumps.com](http://www.whalepumps.com)

## 13. EU DECLARATION OF CONFORMITY, STANDARDS & APPROVALS

Declaration no.: EU-753.133-000

We the undersigned:

Name of manufacturer: Munster Simms Engineering Ltd  
 Address: 2 Enterprise Road, Bangor, BT19 7TA  
 Country: Northern Ireland

Declare under our sole responsibility that the following apparatus:

Product description: Whale Watermaster Exterior Pump Range  
Model name and no.: Whale Watermaster® with Easi-Press(TM) Plug EP1642  
Brand name: Whale(R)

Is in conformity with the following relevant EU Legislation:  
EMC directive 2004/108/EC

Based on the following harmonized standards:

EN55014-1:2000 EMC Emissions  
EN55014-2:1997 EMC Immunity

And therefore complies with the essential requirements of those directives.

Additional information:

Technical file number: TF-753.133-000  
Location of technical file: Munster Simms Engineering Ltd, 2 & 2A Enterprise Road , Belfast, BT19 7TA  
Year mark first applied: 2014  
Limitations of use: For use with Truma Ultraflow Compact and Ultraflow Filter Housings only

Name and position of person binding the manufacturer or authorised representative:

Signature:



Name: Stanley McFarland  
Function: Group Technical Director

Location: Munster Simms Engineering Ltd  
2 Enterprise Road , Belfast, BT19 7TA  
Date of Issue: April 2014  
CE marked

## 14. PATENTS AND TRADEMARKS

Whale Watermaster® with Easi-Press™ Plug is protected by the following pending Patent Application; UK patent application no. 1321969.6

Whale®, Watermaster® and Whale Watermaster® are registered trademarks of Munster Simms Engineering Limited, Bangor, Northern Ireland trading as Whale®. Easi-Push™, Easi-Press™ and Easi-Squeeze™ are unregistered trademarks of Munster Simms Engineering Limited, Bangor, Northern Ireland trading as Whale®.

## 15. WARRANTY

This product is protected by a 1 year warranty, for full details of our warranty statement please see enclosed leaflet.

©Copyright Whale 2014- All rights reserved.

WHALE®, is a registered trademark of Munster Simms Engineering Limited, Bangor, Northern Ireland trading as Whale. Whale's policy is one of continuous improvement and we reserve the right to change specifications without prior notice. Illustrations are for guidance purposes only.

Please note that by contacting Whale Support you will be indicating your consent to receiving product updates, recall information, help guides and appropriate marketing messages from us via post, email or telephone unless you indicated an objection to receiving such messages.

Munster Simms Engineering Ltd.  
2 Enterprise Road, Bangor, N. Ireland BT19 7TA  
Tel: +44 (0)28 9127 0531 Fax: +44 (0)28 9146 6421  
Web: www.whalepumps.com Email: info@whalepumps.com